

Chapter 1 Product introduction

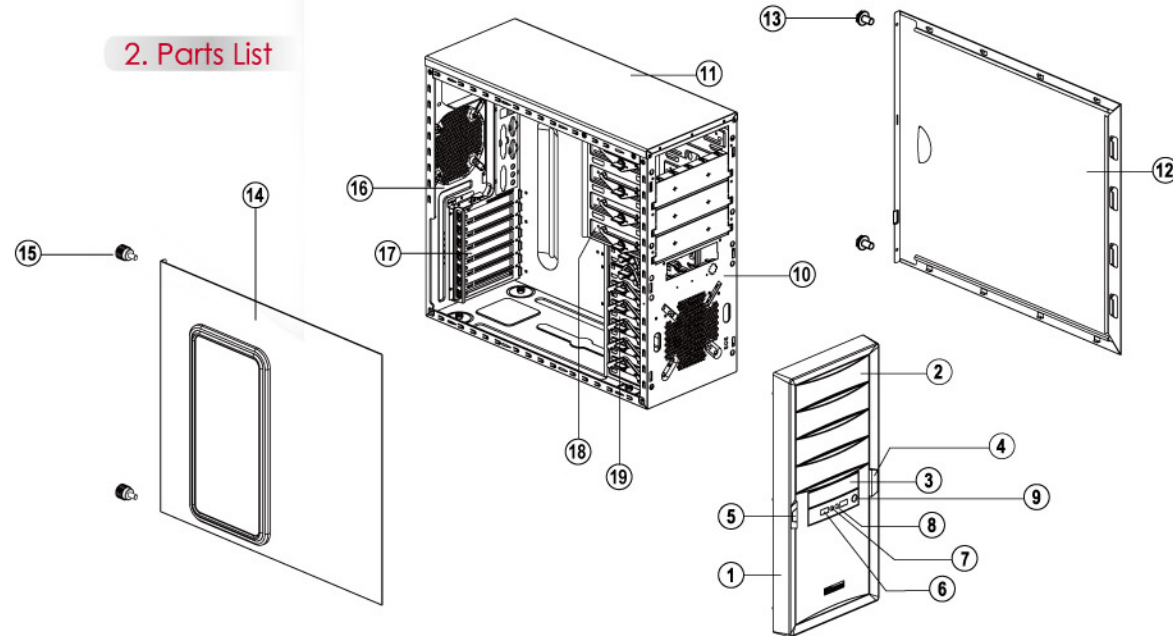


1. Specifications:

Model Number		ECA3170 series
Type		ATX Mid Tower Case
Dimensions		(D) 450 x (W) 185 x (H) 411 mm
Material		SECC
Drive Bays	5.25 "	4 (exposed)
	3.5 "	7 = 1 (exposed) + 6 (hidden)
M/B		ATX, Micro ATX
Power Supply		ATX PS2 (optional)
Front I/O		USB 2.0 x 2, HD / AC'97 Audio
Fan slots	Front	12 / 9 / 8 cm x 1
	Rear	12 / 9 / 8 cm x 1
	Side	14 / 12 cm x 2
Expansion Slots		7
Liquid Cooling Holes		Yes

STARAY User's Manual
ECA3170

2. Parts List

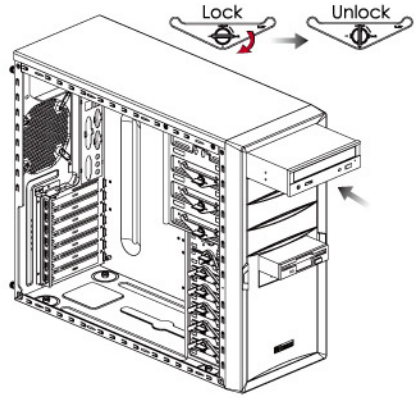


Item	Part Name	Q'ty
1	Bezel	1
2	5.25" Blank	4
3	3.5" Blank	1
4	Power Button	1
5	Reset Button	1
6	USB2.0	2
7	MIC	1
8	HEADSET	1
9	Fan Light Control Button	1
10	Front Plate	1
11	Top Plate	1
12	Right Plate	1
13	Screw	2
14	Left Plate	1
15	Thumb Screw	2
16	Rear Plate	1
17	Slot	7
18	5.25" Driver BKT	1
19	3.5" Driver BKT	1

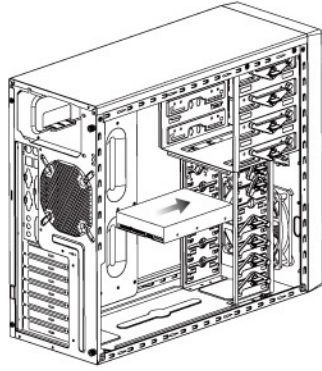
ENERMAX www.enermax.com

© 2009 Enermax Technology Corporation. All Rights Reserved. All trademarks are the property of their respective owners. Information contained in this user manual is subject to change without prior notice. Errors & omissions excepted.

1. How to install 5.25" and 3.5" Drives

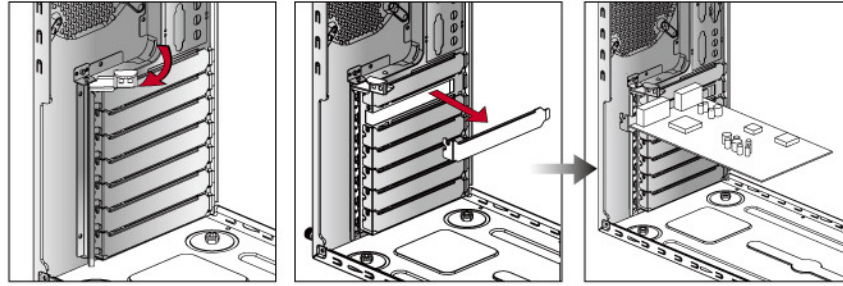


A.5.25" device and 3.5"floppy/card reader

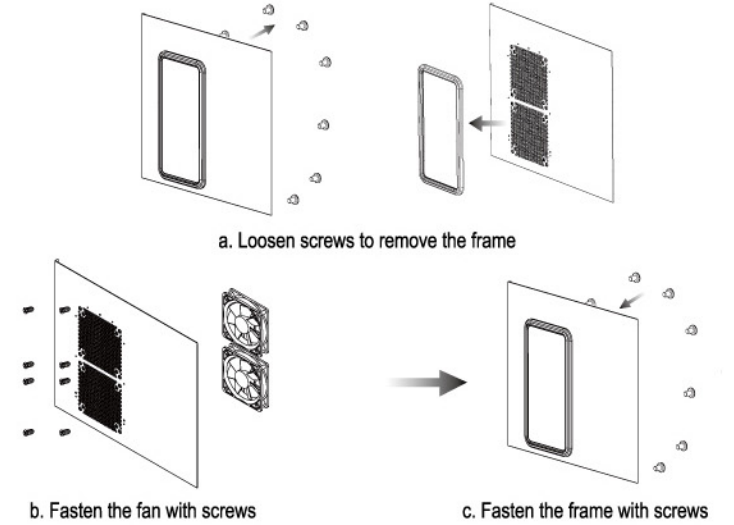


B.3.5" HDD

2. How to remove PCI slot



3. How to install side fan



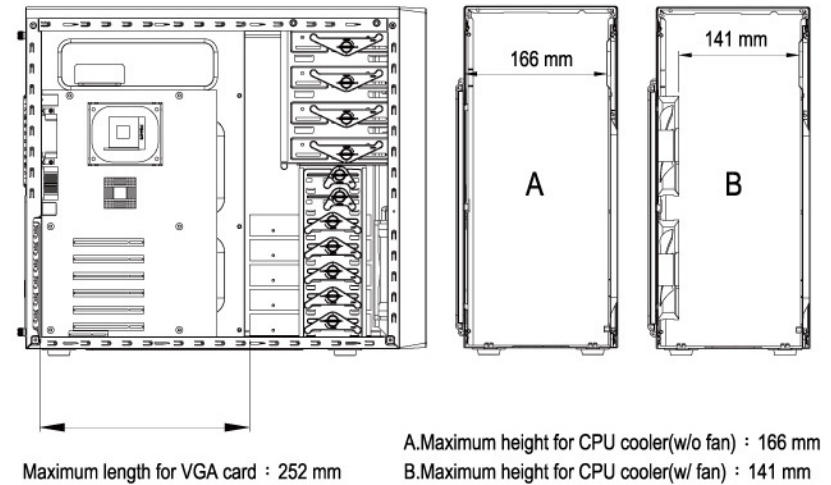
4. Cable connection description

On some motherboards, the connectors are not the same as the drawing below. Please check with your motherboard manual before installing.

Motherboard	Cable	Motherboard	Cable
<p>Top panel USB connector</p> <p>USB+5V — □ — USB+5V USB_P- — □ — USB_P- USB_P+ — □ — USB_P+ GND — □ — GND No Pin — ■ — NC</p>	<p>USB connector</p> <p>CABLE</p>	<p>High Definition Audio(Azalia)</p> <p>MIC2_L — □ — AGND MIC2_R — □ — PRESENSE# HP_R — □ — MIC2_JD Jack_Sense — □ — No Pin HP_L — □ — HP_HD</p>	<p>HD Audio connector</p> <p>CABLE</p>
<p>AC'97</p> <p>MIC2_L — □ — AGND MIC2_R — □ — NC Line out_R — □ — Line out_RR NC — □ — No Pin Line out_L — □ — Line out_LR</p>	<p>AC'97 connector</p> <p>CABLE</p> <p>MIC-IN — MIC2_R Ground — AGND MIC-power — MIC2_L R-OUT — Line out_R REF-R — Line out_RR L-OUT — Line out_L REF-L — Line out_LR</p>	<p>Panel Connector</p> <p>IDELED+ — □ — PLED+ IDELED- — □ — PLED- Ground — □ — PWR Reset — □ — GND NC — □ — No Pin</p>	<p>Panel Connector</p> <p>CABLE</p> <p>POWER SW — PWR SW — GND H.D.D LED — IDELED+ LED — IDELED- RESET SW — Ground SW — Reset POW LED- — PLED- POW LED+ — PLED+</p>

Note

Suggested height of CPU cooler and length of VGA card



A.Maximum height for CPU cooler(w/o fan) : 166 mm
 B.Maximum height for CPU cooler(w/ fan) : 141 mm