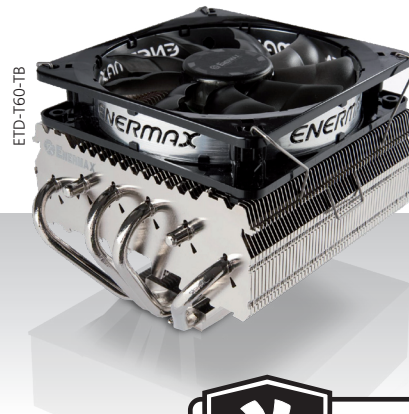


CPU Cooler ETD-T60 Series



Features



Down Flow

Compact cooler with 12cm PWM fan and six 6mm heat pipes for very efficient cooling of CPU and nearby components like MOSFET or Northbridge.

Extremely Low Thermal Resistance: only 0.12°C/W

Smart innovations like VGF or VEF to optimize air stream conduction. Crossed heat pipe arrangement and soldering of the heat pipes to the fins and the base for best possible heat dissipation.

Vortex Generator Flow (VGF)

Small Vortex Generators on the fins conduct the air stream close along the heat pipes and transfer more fresh air to the back of the heat pipes.

Vacuum Effect Flow (VEF)

Due to the difference in pressure between heat sink and ambience, fresh air can be sucked in through the openings in the side.

Crossed Heatpipes

Four heat pipes lead to one and two to the other side of the heat sink to spread and dissipate the heat more effectively.

Universal bracket for Intel and AMD

User-friendly CPU cooler mounting supports all Intel® and AMD® sockets: Intel® 775/1155/1156/1366 and AMD® AM2/AM2+/AM3/AM3+/FM1.

Auto-Adjustable-Pressure (AAP) Design

Patented mechanism to automatically adjust the contact force between CPU and cooler (18-28kgf).

Twister Bearing

Smooth running and persistent silent 12cm fan with patented Twister Bearing Technology (up to 100,000 hours MTBF).

Bright Colours*

Eye-catching and bright colours thanks to patented circular LED light. Enermax LED fans shine many times brighter than ordinary LED fans. * only ETD-T60-VD

Spectacular Two-colour (blue/red) Light Show*

The leading Enermax LED technology creates unmatched effects due to the patented circular LED light with up to 36 diodes (18x blue, 18x red). Two colours (blue and red) and 11 LED modes to choose from. LED mode button included. * only ETD-T60-VD

Click Mechanism

Fan with detachable blades for easy cleaning from dust.

Features

Refined Design

Nickel-plated heat sink to avoid oxidation, maintain top cooling performance and make a stylish appearance.

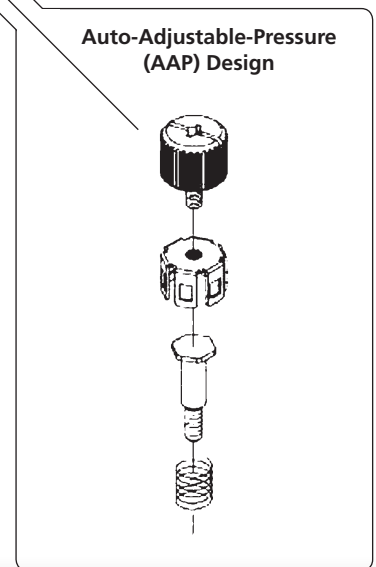
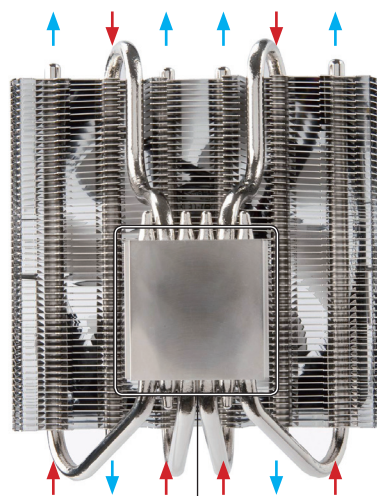
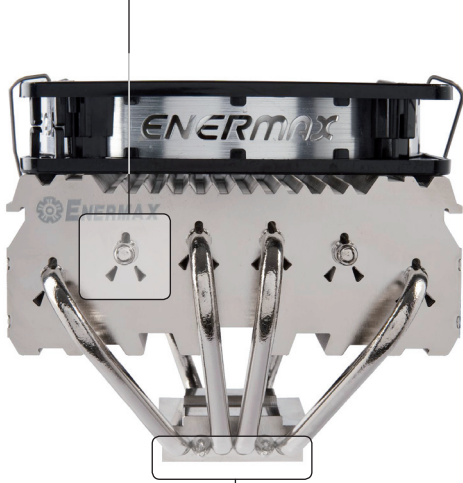
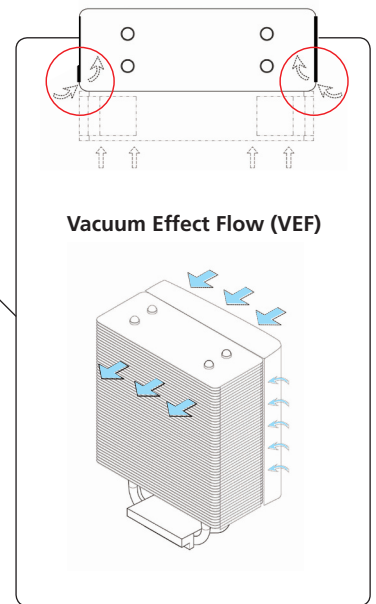
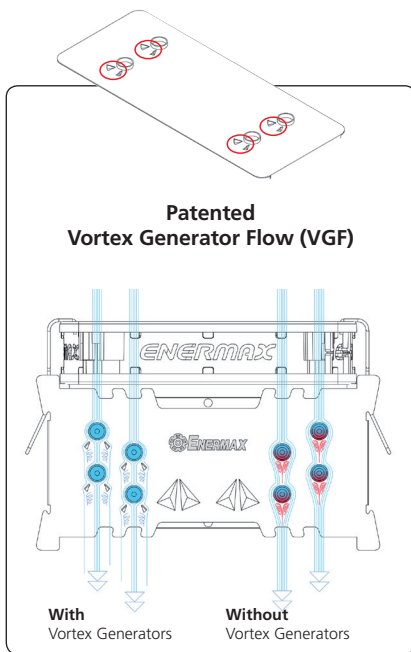
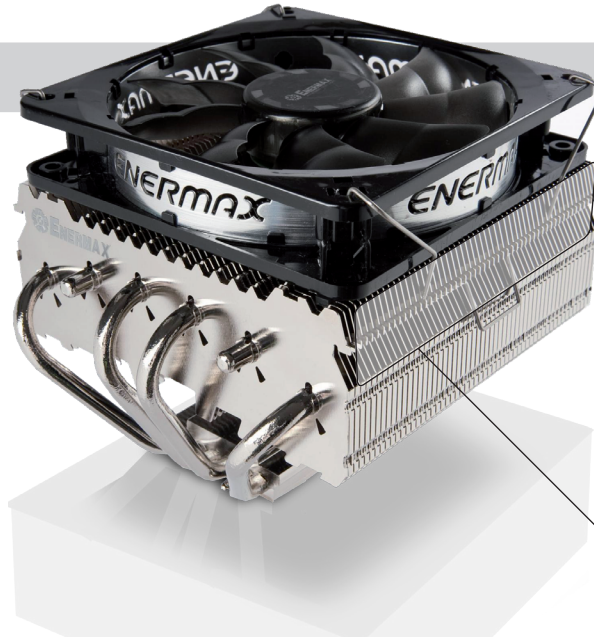
Effective Vibration Reduction

Adhesive rubber strips to reduce vibrations of the installed fan.

High Conductive Thermal Grease

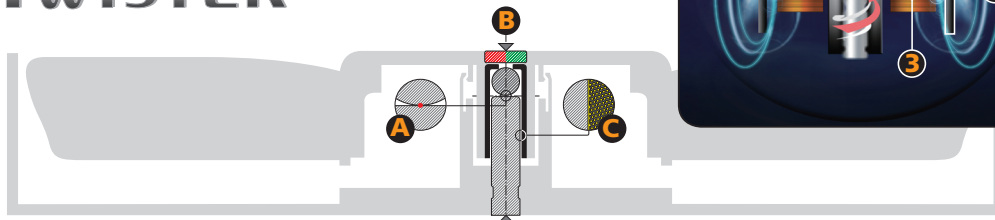
Tube with Dow-Corning® thermal grease (TC-5121) for best thermal conduction between CPU and heat sink.

Details

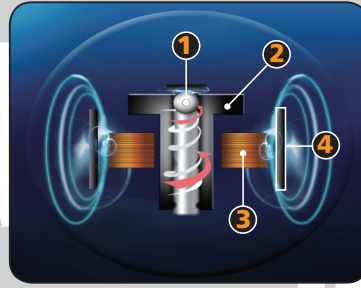


Twister Bearing Technology

Twister



- A** Minimal contact area
For an effective noise reduction
- B** Rotor with integrated magnet
For a frictionless and smooth motion
- C** Self-lubricating bearing sleeve
Abrasion protection for a longer lifetime



Twister Bearing Technology (patented)

Persistent low noise level
Longer life: up to 100,000 hours MTBF

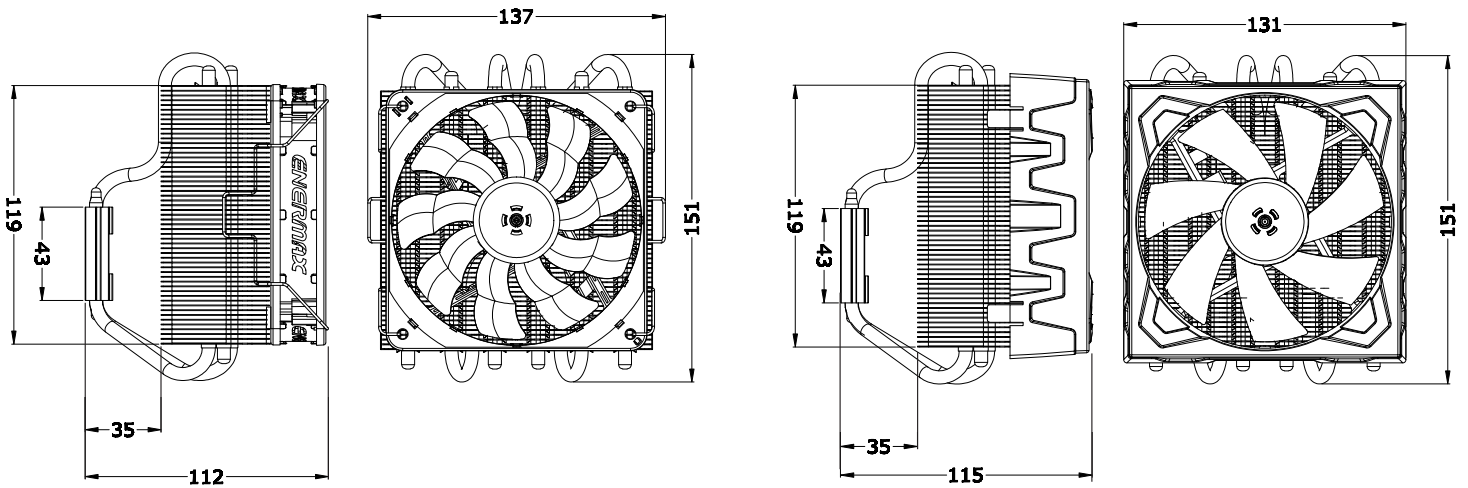
- 1** Magnetized steel ball
- 2** Self-lubricating nano bearing
- 3** Coils
- 4** Flexible magnets inside the rotor

Specifications

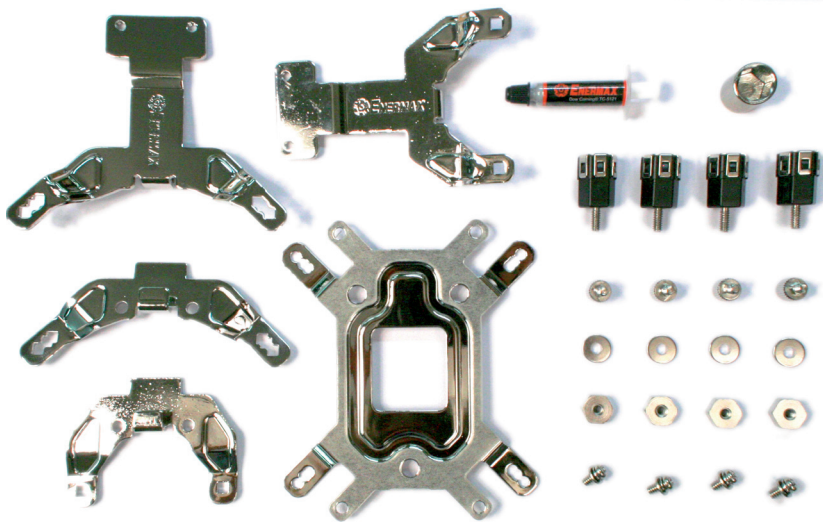


Models	ETD-T60-TB	ETD-T60-VD
Compatible Sockets	Intel® LGA 775/1155/1156/1366 AMD® AM2/AM2+/AM3/AM3+/FM1	
Overall Dimensions (mm)	L 151 x W 137 x H 112	L 151 x W 131 x H 115
Heat Sink Dimensions (mm)	L 151 x W 125 x H 85	
Number / Thickness of Heat Pipes	6 x Ø 6mm	
Thermal Resistance (°C/W)	0.12	
Weight (without fan)	540g	
Material	Copper Heat Pipes / Aluminium Fins	
Nickel-plated Heat Sink	yes	yes
Thermal Grease	Dow Corning® TC-5121	
Fan		
Fan Dimensions	120 x 120 x 25	
Bearing Type	Twister Bearing Technology (patented)	
Fan Speed (RPM)	800 – 1,800	
Air Flow (m3/h)	63.83 – 147.30	56.51 – 129.09
Air Flow (CFM)	37.57 – 86.70	33.26 – 75.98
Static Pressure (mm-H2O)	0.72 – 2.41	0.97 – 2.28
Noise Level (dB(A))	10-21	16-26
Rated Voltage (V)	12	
MTBF	100,000 hours	
LED	no	Patented circular LED light with 18 blue and 18 red diodes / 11 LED modes
Fan Connector	4-Pin PWM	
Fan Mounting	Metal bracket	Fan Frame

Dimensions (in mm)



Package Content



- 1x CPU Cooler
- 1x 12cm fan
- 1x Fan frame (only ETD-T60-VD)
- 2x Fan brackets (only ETD-T60-TB)
- 2x Bracket mounts for Intel® CPU
- 2x Bracket mounts for AMD® CPU
- 4x Thumb screws
- 4x Screw pillars
- 2x Screws for bracket mount
- 1x Tube with thermal grease
- 4x Washers
- 1x Back plate
- 4x Nuts for back plate
- 1x Tool sleeve
- 4x Anti-vibration rubber strips
- 1x Installation guide

Certifications & Standards

