



ETS-N30



■ ETS-N30-HE



■ ETS-N30-TAA

Compatible with Intel® 775/1150/1155/1156/1366
 AMD® AM2/AM2+/AM3/AM3+/FM1/FM2/FM2+



Patented SEF Design



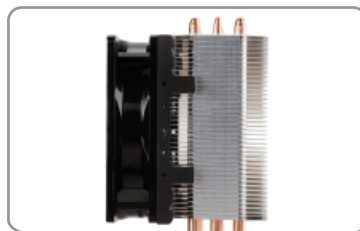
Patented H.D.T. Technology



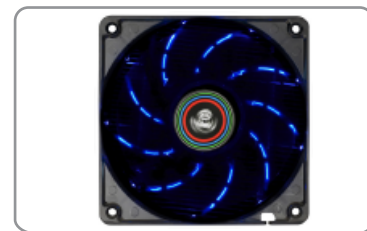
PWM fan



VEF Technology



User-friendly Fan Bracket



12 circular LED with dynamic effect
 (TAA version)

Features

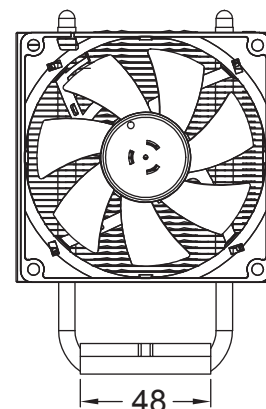
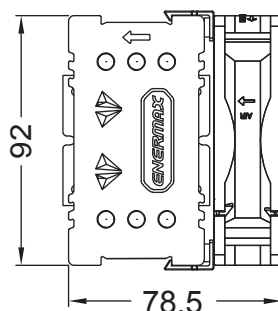
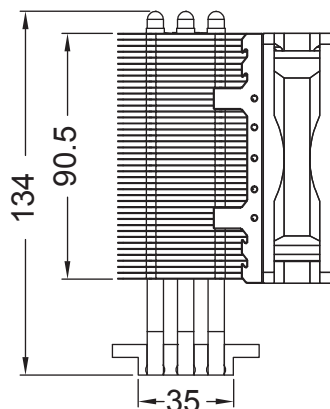
- Patented SEF (Stack Effect) design to enhance heat transfer.
- Unique air path creating high VEF (Vacuum Effect) to optimize the airflow.
- HDT (Heat-pipe direct touch) technology to ensure rapid thermal conduction and eliminate CPU hot spots.
- Compact heatsink size for the utmost compatibility.
- Unique fan bracket design for user-friendly installation.
- Patented circular type LED with 12 diodes and up to three times brighter than other LED fans.(ETS-N30-TAA only)
- High thermal conductivity grease to ensure the best thermal conduction between CPU and the heatsink.
- Twister Bearing technology for longer lifetime and low noise. (ETS-N30-TAA only)
- Anti-vibration rubbers prevent fan vibration and absorb noise.
- Durable metal bracket for Intel® 775/1150/1155/1156/1366 & AMD® AM2/AM2+/AM3/AM3+/FM1/FM2/FM2+.

Specifications

Model		ETS-N30-HE	ETS-N30-TAA
Compatible Socket		Intel® 775/1150/1155/1156/1366, AMD® AM2/AM2+/AM3/AM3+/FM1/FM2/FM2+	
Overall Dimension		92(L) x 79(W) x 134(H)mm	
Heat Sink Dimension		92(L) x 50(W) x 134(H)mm	
Heat Sink Weight		290g	
Heat Pipe		3 x Ø6mm	
Material		Copper Heat Pipes/Aluminum Fins	
Thermal Grease		Dow Corning® TC-5121	
Fan	Dimension	92 x 92 x 25 mm	
	Speed	800 ~2800 r.p.m.	
	Air Flow	15.9~55.4CFM±10%	14.5~50.8CFM±10%
	Static Pressure	0.36~4.37H ₂ O	0.32~3.86H ₂ O
	Rated Voltage	12V	
	Noise	16~28dBA	16~27dBA
	Connector	4 pin PWM connector	
	LED	N/A	12 x Blue LED

Dimensions

Unit:mm



Package Contents

CPU Cooler	1
Fan	1
Fan Screw	4
Fan bracket	2
Back Plate	1
Bracket mount for Intel	2
Bracket mount for AMD	1

Screw pillar	4
Nut for bracket mount	4
Screw	4
Plastic washer	4
Vibration-absorbing rubber	4
Thermal grease	1
Installation guide	1

