



ELC-LMF240T-ARGB

LIGHTMAXFLO

LIQMAXFLO

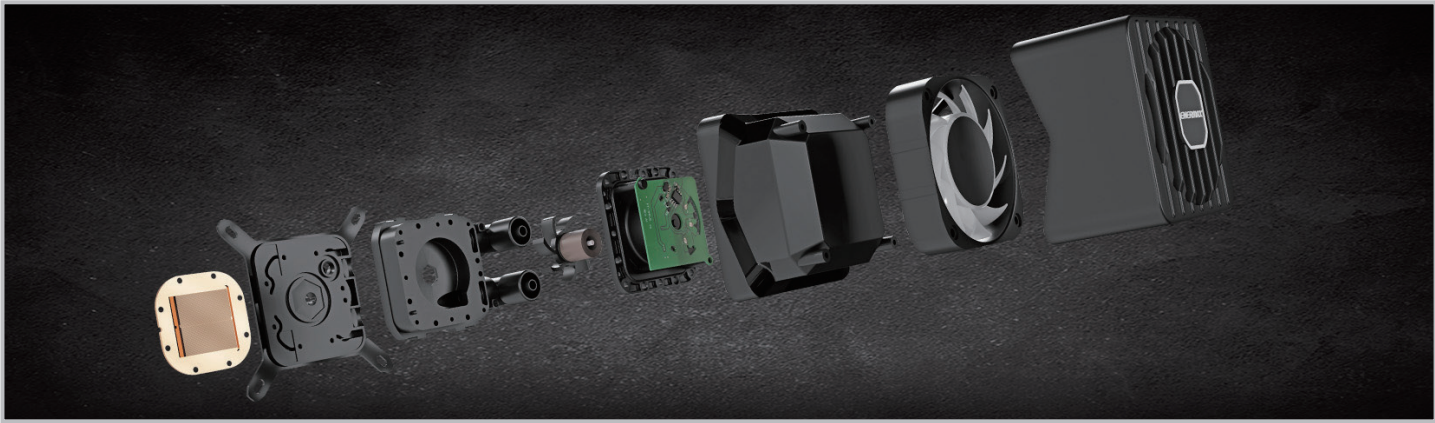


- *Advanced Dual-Chamber Xtreme Pump with Patented SCT Tech.*
- *Ultra cool with 60 mm VRM Fan.*
- *Equipped with High-Performance Silent Flow Fan.*
- *Magnetic and Rotatable AIO cover design*
- *Pre-Applied Premium Thermal Grease.*
- *38mm Thick Radiator tailored for enhanced cooling.*
- *Refillable Radiator with an additional 100ml coolant.*

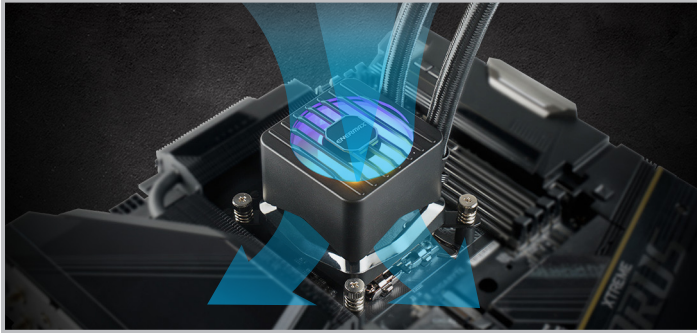


Features

- **A Better Cooling Performance**
 - 60mm VRM fan, provides extra airflow for the VRM area on the upper motherboard.
 - Dual-Chamber Xtreme Pump enhances the cooling performance by enabling a larger and more powerful water flow.
 - Patented Shunt Channel Technology, shortens the coolant flow path, resulting in faster heat transfer.
- **More Silent Operation**
 - The exclusive Silent Flow Fan with its 3mm thicker blades and optimized angles, strikes a balance between advanced cooling and minimized noise.
 - All PWM-controlled designs, allow AIO to alter their speed and airflow based on system loading, creating a quieter environment.
- **Easier Installation**
 - Magnetic and rotatable pump cover, which can be changed to 90° for easier customization.
 - 3 tube clips for tubes and cables strengthen cable management.
 - A succinct cable connection design simplifies the fan installation.
 - Pre-applied premium thermal grease offers effortless installation and provides an extra tube of thermal grease.
- **Personal Lighting Effect**
 - Motherboard Synchronization, coordinate your visual effects through supported RGB software and motherboard synchronization.
- **Longer Lifespan**
 - A refillable radiator, complemented by an additional 100ml coolant in the maintenance kit.



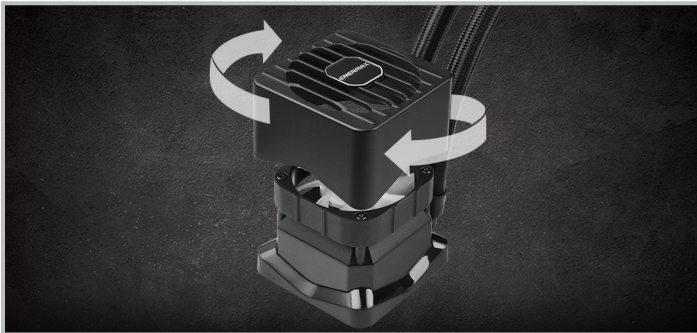
The Next-Gen Dual-Chamber Xtreme Pump with Patented Shunt-Channel Technology



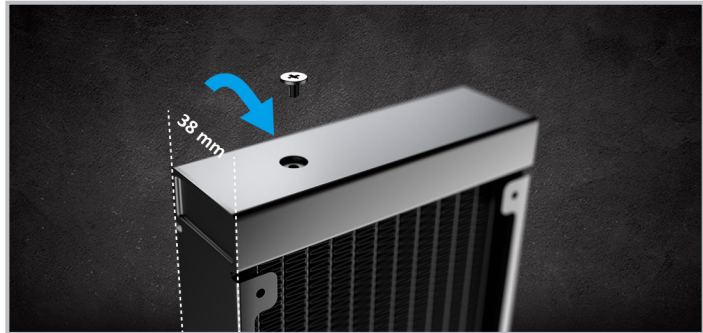
60mm VRM Fan with Speed Up to 3000RPM



High-Performance Pressure Optimized PWM Fan



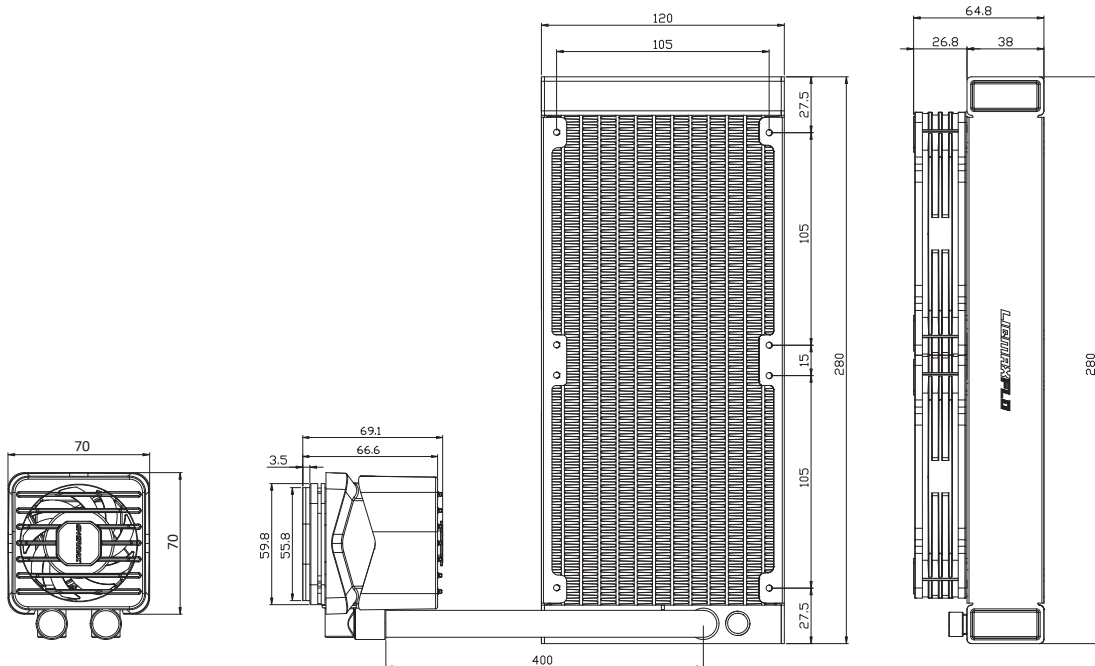
Magnetic & Rotatable AIO Cover for Easy Customization



Premium and Refillable 38mm Thick Radiators Offer Greater Efficiency and a Longer Lifespan

Dimension

unit : mm



Specifications

| Model | | ELC-LMF240T-ARGB | |
|----------------------|-----------------------|---|-----------------|
| CPU Socket | | Intel® LGA 1700/1200/115x/2066/2011/2011-3(Square ILM)/1366 AMD® AM5/AM4 | |
| Radiator Dimension | | 280 x 120 x 38 mm | |
| Tube Length | | 400 mm | |
| Material | Cold Plate | Copper | |
| | Radiator | Aluminum | |
| | Tube | Rubber | |
| Water Block | Pump | Speed | 1200~3000 RPM |
| | | Bearing | Ceramic bearing |
| | | MTBF | 50,000 hr |
| | | Rated Voltage | 12V |
| | | Rated Current | 0.43 A |
| | VRM Fan | Speed | 500~3000 RPM |
| | | Rated Current-RGB LED | 0.24 A |
| Fan | Dimension | 120 x 120 x 26.8 mm | |
| | MTTF | 60,000 hr | |
| | Speed | 500~1800 RPM | |
| | Rated Voltage | 12 V | |
| | Rated Current | 0.08 A | |
| | Rated Current-RGB LED | 0.40 A | |
| | Air Flow | 58.03 CFM | |
| | Static Pressure | 2.4 mmH2O | |
| | Noise Level | 23.46 dBA | |
| | Connector | 8 Pin | |
| Thermal Grease | | Dow Corning® TC-5888 | |
| TDP | | 380W | |
| Logistic information | | | |
| Barcode | | EAN: 4713157727824 | |
| | | UPC: 819315027820 | |
| Box Dimension | | 322 x 208 x 137 mm | |
| Carton Dimension | | 435 x 338 x 440 mm | |
| Q'ty / carton | | 6 pcs | |